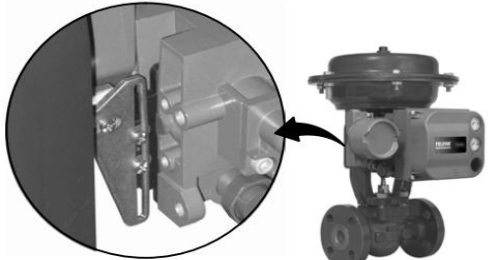




# ® FIELDVUE™ DVC6200 Digital Valve Controller



The FIELDVUE™ DVC6200 digital valve controller is a HART® communicating instrument that converts a two-wire 4-20 mA control signal into a pneumatic output to an actuator. It can easily be retrofitted in place of existing analog positioners on most Fisher™ and non-Fisher™ pneumatic actuators. Enhanced Safety—The DVC6200 is a HART® communicating device, so information can be accessed anywhere along the loop. This flexibility can reduce exposure to hazardous environments and make it easier to evaluate valves in hard to reach locations.



LINKAGE-LESS FEEDBACK SYSTEM



**Digital Valve Controller -** Non-contact, linkage-less travel feedback and local user interface with LCD and four pushbuttons for menu navigation. Powerful FIELDVUE diagnostic capabilities.



**Digital Valve Controller -** The Fisher FIELDVUE digital valve controller family has powerful diagnostic capabilities. Modular design and minor loop feedback.

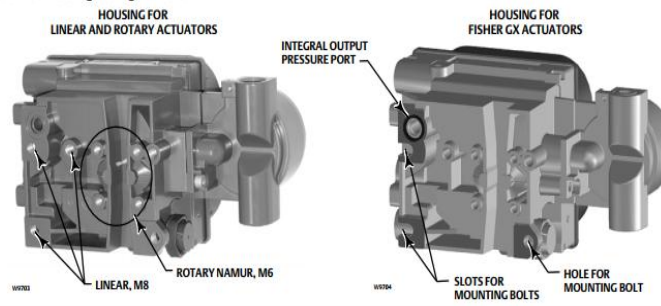


W9713

## Mounting the DVC6200 Digital Valve Controller

The DVC6200 housing is available in two different configurations, depending on the actuator mounting method. Figure 2-1 shows the available configurations.

Figure 2-1. Housing Configurations



## Other Fisher® Field Instruments and Valve Accessories



**Wireless Position Monitor -** Rugged, reliable, easy-to-use measurement device that monitors equipment position with a percent of span plus on/off indication.



**Digital Level Transmitter -** Provides installation flexibility. Built-to-last design. HART® and FOUNDATION™ fieldbus certified, bringing digital advantages to liquid level control.



**Pressure Controller -** Offers long-lasting dependability. Simply constructed. Can reduce steady-state air/gas consumption to as little as 1/10th that of other products.



**Electro-Pneumatic Transducer -** Special free-flow design resists plugging. Approved for use with natural gas as the supply medium.



**Liquid Level Controller -** Designed for controlling level on gas separators and scrubbers. Sour gas service ready. Low bleed relays conserve energy and reduce impact on the environment.



**Volume Booster -** Used in conjunction with a positioner on a throttling control valve to increase stroking speed. Connectors and piping can be installed for diagnostic testing.